

## PRINCIPLE:

SDM model radio frequency (RF) point level controller is truly an outstanding value. It combines rugged construction, quick, easy installation and all the features you need for years of effective, accurate performance. Operating on the RF impedance sensing principle, the SDM will detect the presence (high level) or absence (low level) of a wide variety of materials. It may be made fail-safe in either high or low mode. It will operate in conjunction with process materials which range from low dielectric (insulating) products such as refined oils, to conductive slurries.



## FEATURE:

- The SDM features reliability, true coating cancellation capability,
- Weatherproof enclosures, RFI immunity, heavy duty relays, Easy-On Teflon/SUS304 probes.
- SDM process instruments have provided have provided accurate, dependable, long lived service .

## Product Description

Operating Temperature: -100 to 230°C  
Max.: 800°C

Material of Probe: SUS304/Teflon

Relay Contacts : 2A DPDT 220VAC/24VDC

Delay Time: 0 to 30 second

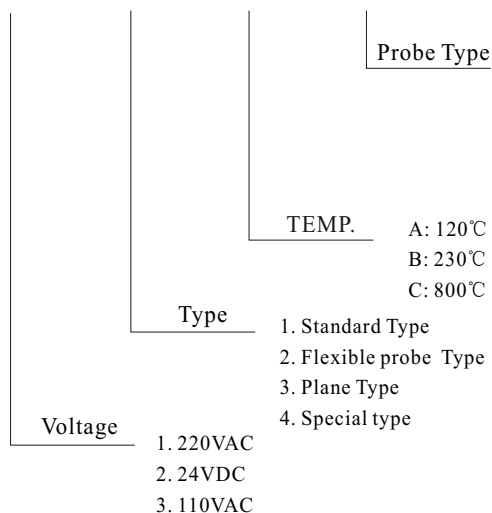
Fail-Safe Mode: Fail-Safe low level/high level

Power source: 220VAC/110VAC/24VDC

Housing material: Aluminum (IP65)

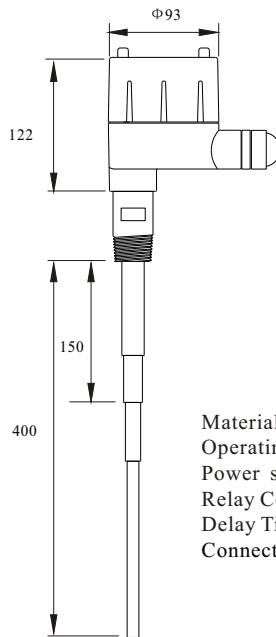
## ORDER INFORMATION:

SDM — 1 — 1 — A — S01



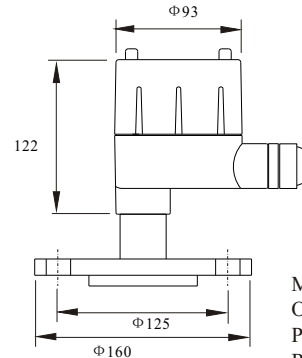
	Temp./Pressure	Max. Length	Size	Material
S01:	120°C/1.5MPa	2M Pole	Φ9mm	SUS304/P.P.
S02:	230°C/1.5MPa	2M Pole	Φ9mm	SUS304/Teflon
S03:	800°C/1ATM	2M Pole	Φ9mm	SUS304/Chinaware
S04:	120°C/1ATM	Plane type	Φ50mm	SUS304/Teflon
S05:	230°C/1MPa	20M Flexible	Φ6mm	SUS304/Teflon

## DIMENSION:



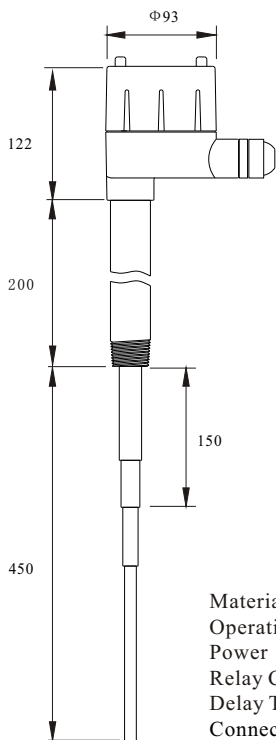
Material of Probe: SUS304/P.P.  
 Operating Temperature: -100 to 120°C  
 Power source: 220VAC/110VAC/24VDC  
 Relay Contacts : DPDT Relay  
 Delay Time: 0 to 30 second  
 Connecting: 1" NPT

SDM-1-1-A-S01



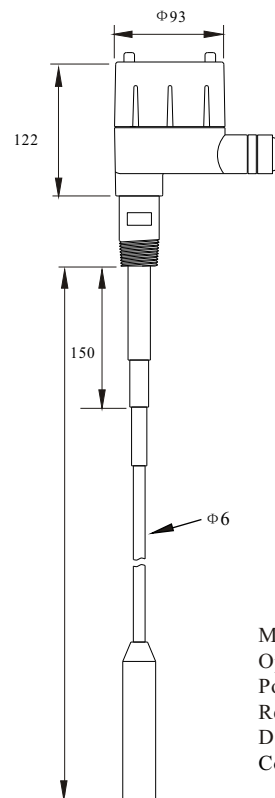
Material of Probe: SUS304/Teflon  
 Operating Temperature: -100 to 120°C  
 Power source: 220VAC/110VAC/24VDC  
 Relay Contacts : DPDT Relay  
 Delay Time: 0 to 30 second  
 Connecting: DN50

SDM-1-3-A-S04



Material of Probe: SUS304/Chinaaware  
 Operating Temperature: 800°C  
 Power source: 220VAC/110VAC/24VDC  
 Relay Contacts : DPDT Relay  
 Delay Time: 0 to 30 second  
 Connecting: 1" NPT

SDM-1-1-C-S03



Material of Probe: SUS304/Teflon  
 Operating Temperature: -100 to 230°C  
 Power source: 220VAC/110VAC/24VDC  
 Relay Contacts : DPDT Relay  
 Delay Time: 0 to 30 second  
 Connecting: 1" NPT

SDM-1-2-B-S05