

INTRODUCTION:

- Airtight sealing device.
- Unique sealing ring design, it can perform good dust protection to avoid the dust permeate into housing body along with the shaft.
- The torque force is adjustable.
- The performance of torsion is stable and reliable.



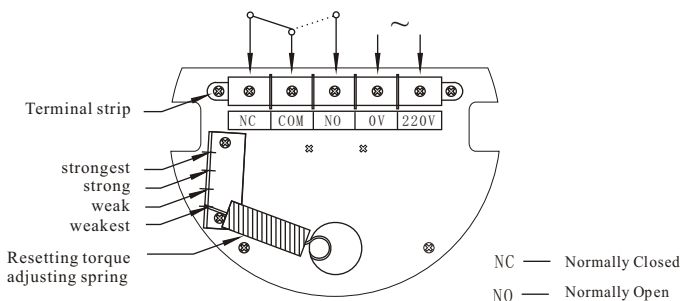
PRINCIPLE:

The working principle of RS series is that a motor rotates the paddle during normal operation (no material present). When the paddle rotation is impeded by material, surrounding the paddle, motor will stall and cause the micro switch to change state.

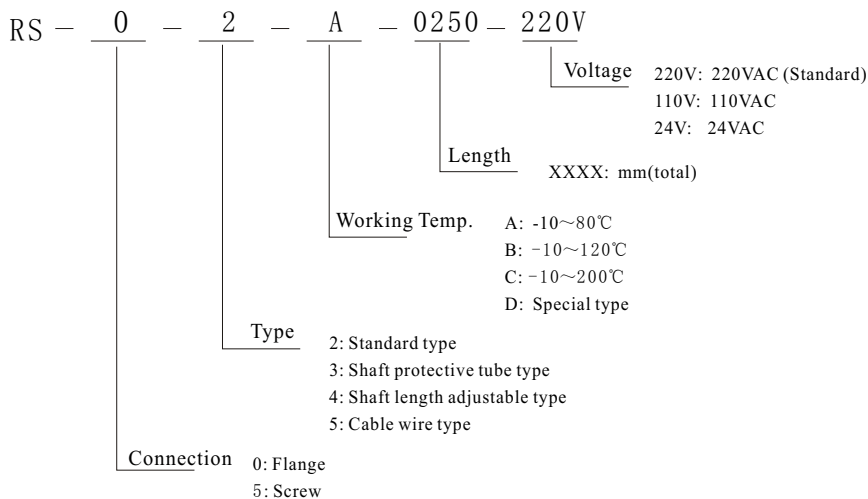
Product Description :

Power source: 220VAC, 110VAC, 24 VAC
 Power consumption: 5W
 Contact capacity: 5 A/250VAC SPDT
 Rotary speed: 1 R.P.M.
 Torque: 1.0Kg-cm
 Specific gravity: 0.5 g/cm³
 Operating temp: -10~80°C (Max: 300°C)
 Material: SUS 304
 Protection: IP6

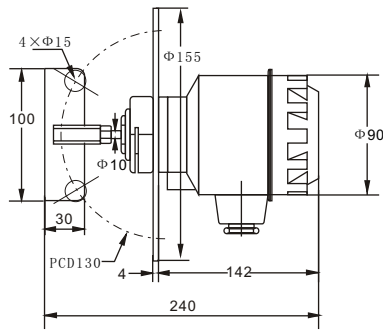
WIRING:



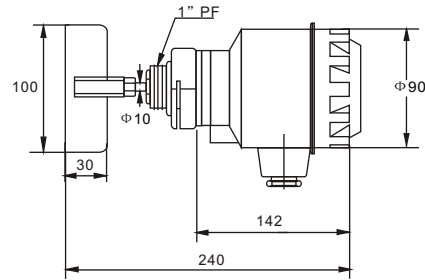
ORDER INFORMATION:



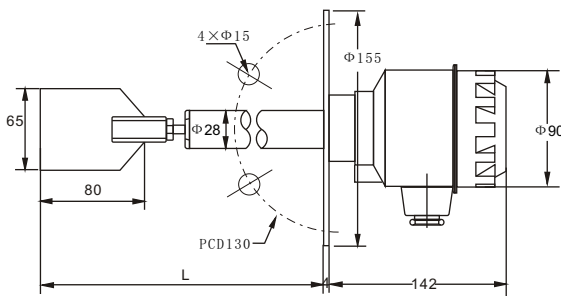
DIMENSION:



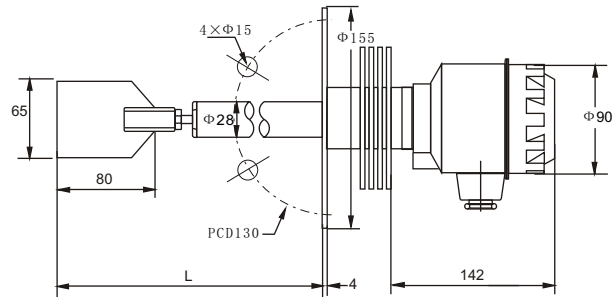
RS-02A Standard type
Operating Temp.: -10°C ~ 80°C
Horizontal mounting



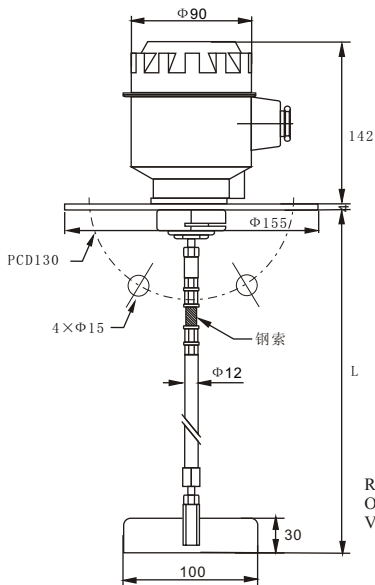
RS-52A Standard type
Operating Temp.: -10°C ~ 80°C
Horizontal mounting



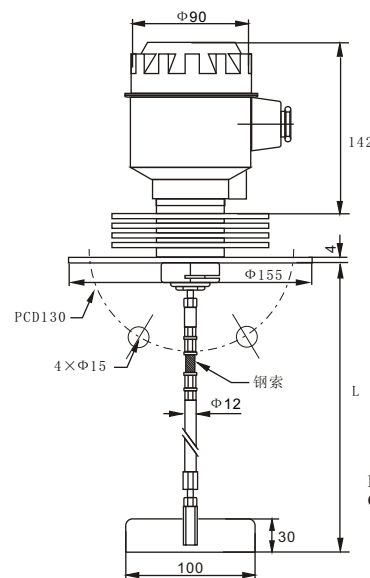
RS-03A Shaft protective tube type
Operating Temp.: -10°C ~ 80°C
Horizontal/Vertical mounting



RS-03B/C/D Shaft protective tube type
Operating Temp.: -10°C ~ 120°C
MAX:300°C



RS-04A Shaft length adjustable type
Operating Temp.: -10°C ~ 80°C
Vertical mounting



RS-04B/C/D Shaft length adjustable type
Operating Temp.: -10°C ~ 120°C
MAX:300°C

Installation Notices:

1. Please side mount the sensor by inclined 15°C ~ 20°C to decrease the material inflowing impact.
2. The instrument should be located out of direct path of incoming material or under a protection baffle.
3. When side mounting, the cable ducts should always be positioned pointing downward to prevent moisture sipping into the housing.
4. If the flange inlet is smaller than the size of the rotary paddle, reassemble the paddle in the bin.
5. Please affirm the voltage.