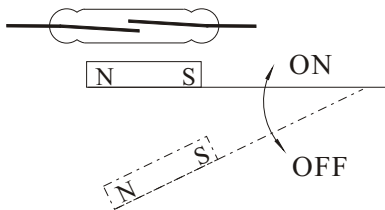


INTRODUCTION :

Plastic side mounted float switches and Stainless Steel side mounted float switches offer reliable performance and durability.

PRINCIPLE:

The magnetic field of permanent magnet inside the float is moved into to the proximity of the reed switch inside the stationary stem, the reed switch "snaps" the contact together and closes the electrical circuit. When it is moved away from the reed switch, the reed switch does not touch. The circuit is open.



Product Description :

Switching Capacity Max.: 70W 240VAC (Max.)

Switching Current(Max.): 1 Amps DC

Carry Current: 0.7Amps DC

Switching Voltage(Max.): 200 VDC/240VAC

Material of wetted parts: SUS316/P.P.

Max. operating temperature: -20~200°C SUS316
-20~80°C P. P.

Max. operating pressure: 5kg/cm²

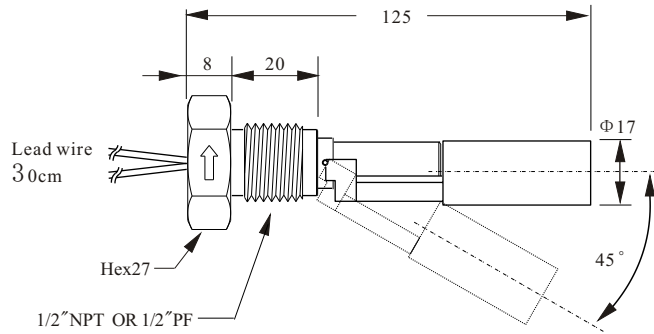
Specific gravity: 0.6~0.8

ORDER INFORMATION:

| | | | | | | | |
|-----|---|------------|--|----------|---|----------|--|
| FSC | — | <u>05B</u> | — | <u>W</u> | — | <u>H</u> | |
| | | | | | | | Special type S: Made in order H: Hirschmann Box |
| | | | Connection W: External mounting (standard) N: Internal mounting | | | | |
| | | | | | | | Float Type 05B: Standard Type 94B: Anti-corrosion |

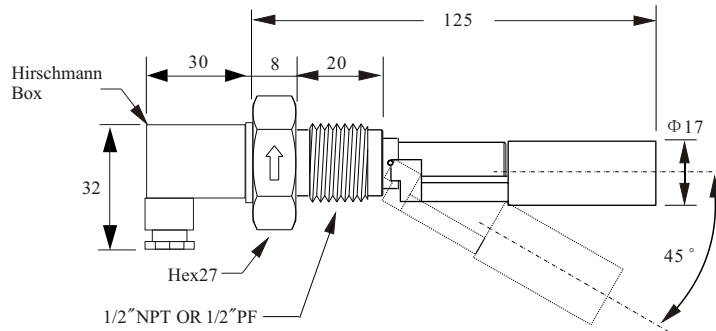
DIMENSION:

Float Material: SUS 316
 Power Rating Max.: 70W 240VAC
 Switching Current Max.: 0.7A
 Carry Current Max.: 1A
 Operating Temp: -20°C ~ 120°C
 (max:200°C)
 Max. Pressure: 5kg/cm²
 Suitable Specific Gravity: 0.7



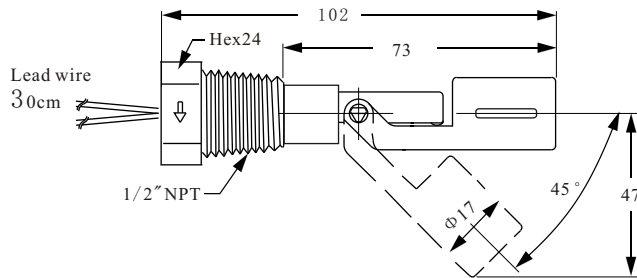
FSC-05B

Float Material: SUS 316
 Power Rating Max.: 70W 240VAC
 Switching Current Max.: 0.7A
 Carry Current Max.: 1A
 Operating Temp: -20°C ~ 120°C
 (max:200°C)
 Max. Pressure: 5kg/cm²
 Suitable Specific Gravity: 0.7



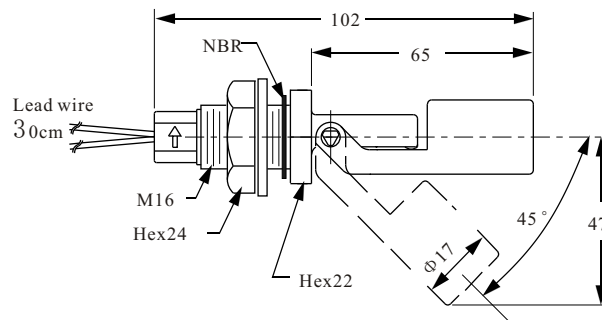
FSC-05BH

Float Material: Glass filled P.P.
 Power Rating Max.: 70W 240VAC
 Switching Current Max.: 0.7A
 Carry Current Max.: 1A
 Operating Temp: -10°C ~ 110°C
 Max. Pressure: 5kg/cm²
 Suitable Specific Gravity: 0.65
 connection: External mounting



FSC-94BS

Float Material: Glass filled P.P.
 Power Rating Max.: 70W 240VAC
 Switching Current Max.: 0.7A
 Carry Current Max.: 1A
 Operating Temp: -10°C ~ 110°C
 Max. Pressure: 5kg/cm²
 Suitable Specific Gravity: 0.65
 connection: Internal mounting



FSC-94BN