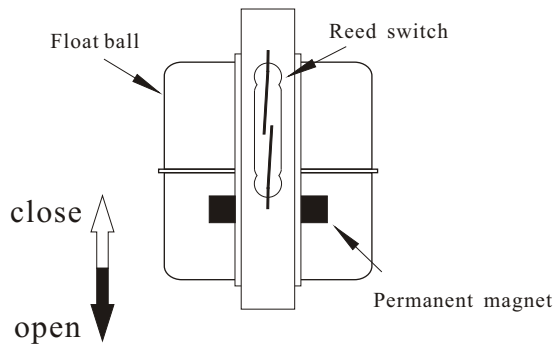


## FEATURES :

- Compact, simple, and easy to Install
- Withstand to high pressure, and high temperatures
- Special specification or custom design is acceptable.

## PRINCIPLE:

When the float internal magnet approaches the reed switch, it will actuate the reed switch contact point to create an open or close circuit. We can apply such on-off output signals to reach liquid level controlling and monitoring purpose. The figures below show the float orientations on N.C. (↑ close) and N.O. (↓ open).



## Product Description :

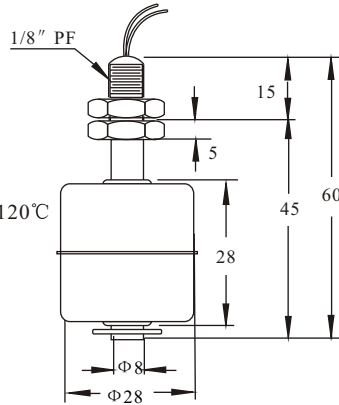
Switching Capacity Max.: 70W 240VAC (Max.)  
 Switching Current(Max.): 1 Amps DC  
 Carry Current: 0.7Amps DC  
 Switching Voltage(Max.): 200 VDC/240VAC  
 Material of wetted parts: SUS316  
 Max. operating temperature: 200°C  
 Max. operating pressure: 30kg/cm<sup>2</sup>.  
 Specific gravity: 0.6 ~ 0.85

## ORDER INFORMATION:

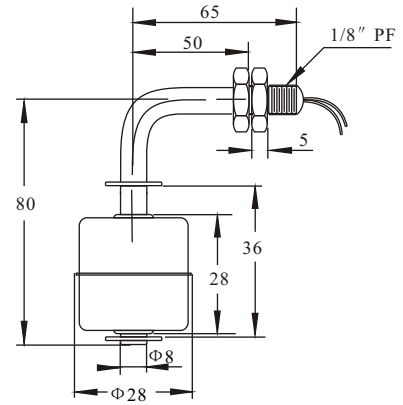
FS	—	0	—	1	—	A	—	H
		Connection		Float type		Mounting		Special type
			0: Screw		1: Φ28*28 SUS 316 0.8		A: Top Mounting	
			5: Special order	2: Φ45*55 SUS 316 0.65		B: Side Mounting	Z: Made in order	
				3: Φ52*52 SUS 316 0.6				
				7: Φ38*26 SUS 316 0.55				
				8: Φ41*38 SUS 316 0.85				

## DIMENSION:

Power Rating Max.: 70W 240VAC  
 Switching Current Max.: 0.7A  
 Carry Current Max.: 1A  
 Operating Temp(<1000cSt): -50°C ~ 120°C  
 (max:200°C)  
 Float Material: SUS 316  
 Max. Pressure: 15kg/cm<sup>2</sup>  
 Suitable Specific Gravity: 0.8

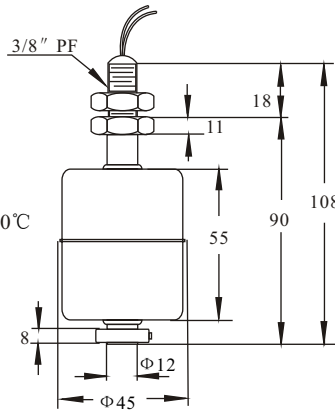


FS-01A

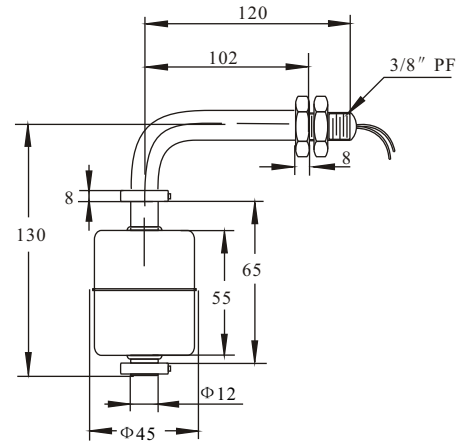


FS-01B

Power Rating Max.: 70W 240VAC  
 Switching Current Max.: 0.7A  
 Carry Current Max.: 1A  
 Operating Temp(<2000cSt): -50°C ~ 120°C  
 (max:200°C)  
 Float Material: SUS 316  
 Max. Pressure: 20kg/cm<sup>2</sup>  
 Suitable Specific Gravity: 0.65

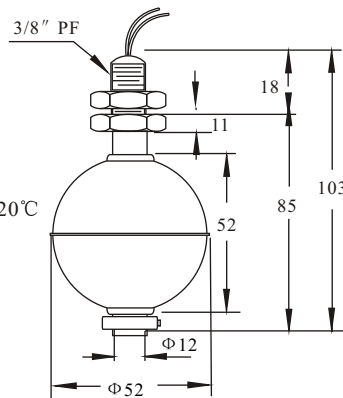


FS-02A

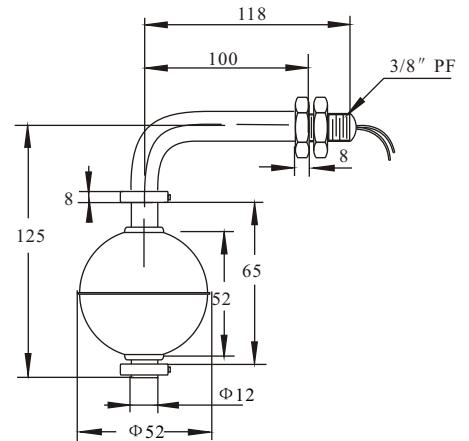


FS-02B

Power Rating Max.: 70W 240VAC  
 Switching Current Max.: 0.7A  
 Carry Current Max.: 1A  
 Operating Temp(<2500cSt): -50°C ~ 120°C  
 (max:200°C)  
 Float Material: SUS 316  
 Max. Pressure: 30kg/cm<sup>2</sup>  
 Suitable Specific Gravity: 0.55



FS-03A



FS-03B